

IPAQ C530

Universal HART-compatible 2-wire Transmitter



IPAQ C530 is a modern, HART® temperature transmitter developed to meet the highest standards of accuracy and reliability. A universal transmitter compatible with RTD, thermocouples, voltage and potentiometer sensors. It is fully compatible with HART® 7 and offers extended diagnostic information, for example device error, sensor and wiring conditions.

IPAQ C530 supports communication via NFC® (Near-field communication) and Bluetooth® which makes it possible to configure and monitor the transmitter remotely.

- High accuracy and long term stability
- Accepts RTD, T/C, mV and ohm
- Sensor error and system (sensor/transmitter) error correction
- 50-point Customized Linearization and Callendar-Van Dusen
- Rugged design tested for 10 g vibrations
- Configuration via USB, without external power
- Runtime counter - hour counter for elapsed operational time
- Communicates with HART Communicator or PC via modem
- Integrated in Emerson AMS and Siemens PDM systems

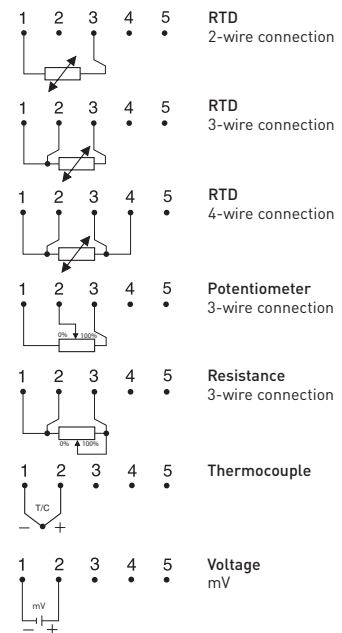
Specifications:

Input RTD	2-, 3-, 4-wire connection
Pt100 ($\alpha = 0.00385$)	-200 to +850 °C / -328 to +1562 °F
PtX $10 \leq X \leq 1000$ ($\alpha = 0.00385$)	Upper range depending on X-value
Pt100 ($\alpha = 0.003916$)	-200 to +850 °C / -328 to +1562 °F
Ni100 ¹⁾ , Ni120 ²⁾	-60 to +250 °C / -76 to +482 °F
Ni1000 ¹⁾	-50 to +180 °C / -58 to +356 °F
Cu10 ³⁾	-50 to +200 °C / -58 to +392 °F
Input Resistance / potentiometer	0 to 10000 Ω / 100 to 10000 Ω
Input Thermocouples	Types B, C, D, E, J, K, N, R, S, T
Input mV	-10 to +1000 mV
Sensor failure	Upscale (≥ 21.0 mA) or downscale (≤ 3.6 mA) action
Adjustments - Zero	Any value within range limits
Adjustments - Minimum spans	
Pt100, Pt1000, Ni100, Ni1000	10 °C / 18 °F
Potentiometer	100 Ω
T/C, mV	2 mV
Output	4-20 / 20-4 mA, temperature linear
Operating temperature	-40 to +85 °C / -40 to +185 °F
Galvanic isolation	1500 VAC, 1 min
Power supply	IPAQ C530 8.5...36.0 VDC
	IPAQ C530X 8.5...30.0 VDC
Intrinsic safety	
IPAQ C530X ATEX:	II 1G Ex ia IIC T6...T4 Ga ⁴⁾
IPAQ C530X IECEx:	Ex ia IIC T6...T4 Ga ⁴⁾
IPAQ C330X cFMus:	IS CL I Div 1 GP A-D, T6...T4
	CL I Zn 0 AEx/Ex ia IIC T6...T4 Ga ⁴⁾
Typical accuracy	± 0.08 °C or ± 0.08 % of span
Connection head	DIN B or larger

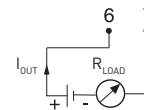
¹⁾ IEC 60751, $\alpha = 0.00385$ and Pt100 acc. to JIS 1604, $\alpha = 0.003916$ ²⁾ DIN 43760

³⁾ Temperature, resistance or voltage linear, customized linearization possible ⁴⁾ For Tambient, see the manual

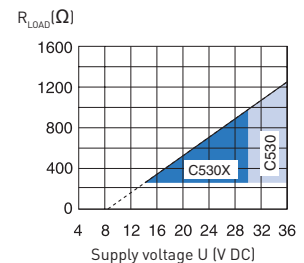
Input connections



Output connections

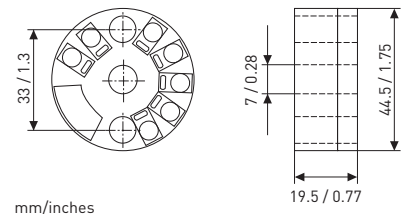


Output load diagram



$$R_{LOAD} = (U - 8.5) / 0.022$$

Dimensions



Ordering information

IPAQ C530	70C5300010
IPAQ C530X (ATEX / IECEx)	70C530X010
IPAQ C530X (cFMus)	70C530F010
HART PC modem USB	70MEM00003
PC configuration kit (USB-conn.)	70CFGUSX01
ICON-BT Bluetooth kit	70CFGBT001
Configuration	70CAL00001