

Temperaturgivare med clamp-anslutning för hygienapplikationer

Användningsområde

Motståndsgivare med fläns för ISO 2852 DN25/38 anslutning, för applikationer med hygieniska krav.

Armatyr

Material i syrafast stål 1.4404 / AISI 316L, 6 x 1 mm, 10 x 1 mm.
Ytfinhet: Ra \leq 0.8 μ m som standard för medieberörda delar.

Mätinsats

Mätelelementet med noggrannhet i enlighet med IEC 60751 är placerad i spetsen av röret som är fyllt med värmeledande pasta för snabb svarstid (TRA-H10*). Alternativt är mätelelement monterad i en utbyttbar mineraliserad mätinsats för mätningar i större temperaturområden (TRA-H20).

Processtemperatur

TRA-H10	-50...+200 °C
TRA-H20	-100...+450 °C

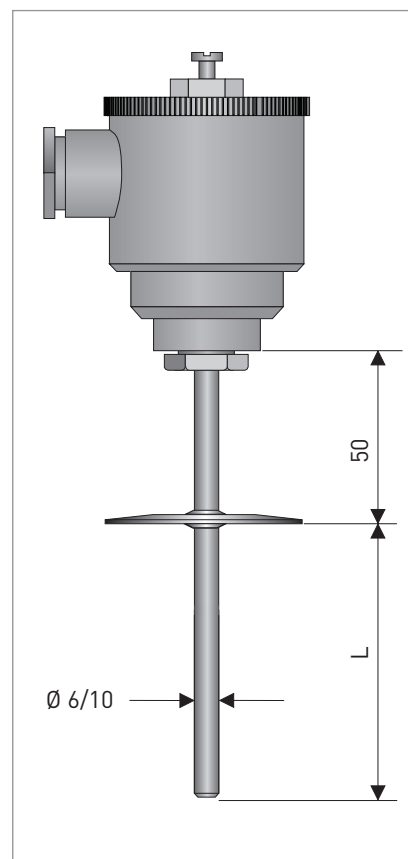
Kapslingsklass

Se avsnitt Kopplingshuvuden på sida 120.

Svarstider

Typ	Vatten 0.4 m/s		Luft 1 m/s	
	t 0.5	t 0.9	t 0.5	t 0.9
TRA-H10, Ø 6	3 s	7 s	50 s	2.5 min
TRA-H10, Ø10	5 s	15 s	1.1 min	3.3 min

* Mätinsatsen i TRA-H10 är inte utbyttbar.



Dimensioner i mm

Tri-Clamp	ISO 2852	DIN 32676
1 1/2"	25/28	DN25/40
2"	40/51	DN50

Beställningskod för TRA-H10 med standardinställningar

V	T	H	1	4	1	0	1	3	4	1	1	1	0	1	1	1	0	0	0	0	0	0	0	1	0	0	0	
								4	5		7	8	9	10														

Detta är ett urval av de valmöjligheter som finns för denna givare. För komplett beställningskod se sidan 55.

4. MÄTINSATS

2	1x Pt100	3-tråd
3	1x Pt100	4-tråd
4	2x Pt100	3-tråd
5	2x Pt100	4-tråd

5. TOLERANSKLASS

2	Klass A	TF
4	Klass A	WW
6	Klass B	WW
5	Klass AA	WW
7	1 / 10 DIN	WW

7. DIAMETER SKYDDSFICKA (Ø)

1	10 x 1 mm
2	6 x 1 mm

8. Processanslutning

1	In Clamp DN25/51 ISO2852
2	Clamp DN51 ISO2852
A	Varivent typ N DN50/PN40

9. YTFINHET

0	Ej specificerat
1	Ra < 0.5 μ m tolerat*
8	Ra < 0.8 μ m polerat

10. INSTICKSLÄNGD

1	50 mm
2	100 mm
3	150 mm
4	200 mm
5	250 mm
Z	Kundanpassad längd

* 2 Ra < 0,5mm Elektropolerad

VTH1	4	1. Type
		Non replaceable insert
1	TRA-H 10 (MEJ)	<200°C (10)
3	TRA-H 30	<200°C insitu calibration (30)
A	TRA-H 11	<200°C G1/2 Hygienic short extention nipple (11)
K	TRA-H 12	<200°C G1/2 Hygienic process connection (12)
		Replaceable insert
2	TRA-H 20 (MES)	<600°C (20)
B	TRA-H 21	<600°C G1/2 Hygienic short extention nipple (21)
L	TRA-H 22	<600°C G1/2 Hygienic process connection (22)
		2. Certificate
0	without	
A	Simple Apparatus declaration according to EN/IEC 60079-0 och EN/IEC60079-11 (10-22)	
		3. Connection heads
1	BA cover screwed	Alu, M20x 1,5, IP 65
2	BUZ-S hinged cover, snap-lock	Alu, M20x 1,5, IP 65
3	BUZ-T hinged cover, screwed	Alu, M20x 1,5, IP 65
5	BUZ-H Hinged cover screwed, High lid	Alu, M20x 1,5, IP 65
6	BUZ-HW Hinged cover screwed, High lid with indicator,	Alu, M20x 1,5, IP 65
8	BVA screw cover	SS, M20x 1,5, IP 65
M	BHY screw cover	SS, M16x 1,5, IP67
		4. Measuring insert = sensor / wiring
2	1x Pt100 3-wire	
3	1x Pt100 4-wire	
4	2x Pt100 3-wire	(Cl.A, WW)
5	2x Pt100 4-wire	(Cl.A, WW)
		5. Measuring insert / tolerance class
2	Cl. A	TF (tolerance class -30 ... +300°C)
4	Cl. A	WW (tolerance class -100 ... +450°C)
6	Cl. B	WW (tolerance class -200...+600°C)
5	Cl. AA	WW (tolerance class -50 ... +250°C)
7	1/10 DIN	WW (tolerance class at 0°C)
		7. Thermowell diameter
1*	10 mm	(all)
2	6 mm	(10-22)
8	8 mm	(30)
		8. Process connection
0	without	
1	Clamp DN25/38 ISO 2852	(10, 20, 30)
2	Clamp DN51 ISO 2852	(10, 20, 30)
A	Varivent type N DN50/PN40	(10, 20, 30)
		9. Surface finish wetted parts
0	without	
1	Ra < 0,5 µm, polished	
2	Ra < 0,5 µm, polished and electropolished	
8	Ra < 0,8 µm, polished	
		10. Immersion length
1	50 mm	
2	100 mm	
3	150 mm	
4	200 mm	
5	250 mm	
Z	Customized length	
		11. Extension tube length
0	Whitout	(11-21)
1	50 mm	(10,12,20,22,30)
2	100 mm	(10,12,20,22,30)
Z	Customized length	
		12. Type of connection / head mounted transmitter
0	with flying leads for transmitter mounting	
1	Standard version with ceramic terminal block	
L	with head mounted transmitter TT 12 C	// APAQ C130 Basic RTD
4	with head mounted transmitter TT 22 C	// IPAQ C202 Basic, RTD [Ex]
C	with head mounted transmitter TT 33 C	// IPAQ C330 Universal [Ex]
E	with head mounted transmitter TT 51 C	// IPAQ C520 Smart, HART, SIL2 [Ex]
M	with head mounted transmitter TT 53 C	// IPAQ C530 Smart, HART [Ex]
		13. Type of connection / rail mounted transmitter
0	without	
L	with rail mounted transmitter TT 12 R	// APAQ R130 Basic, RTD
A	with rail mounted transmitter TT 32 R	// IPAQ-4L Universal, 90 - 250 VAC
B	with rail mounted transmitter TT 32 R	// IPAQ-4L Universal, 20 - 30 VDC
C	with rail mounted transmitter TT 33 R	// IPAQ R330 Universaldigital, sta [Ex]
H	with rail mounted transmitter TT 51 R	// IPAQ R520 Smart, HART, SIL2 [Ex]
M	with rail mounted transmitter TT 53 R	// IPAQ R530 Smart, HART [Ex]
		14. Measuring range
0	without	
1	Configuration	
		15. Calibration report
0*	without	
		Sensor calibration (single- or double-sensor)
1	1-point (single)	room temper (single-sensor)
P	2-point (single)	0°, 100°C (double-sensor)
R	2-point (double)	0°, 100°C (single-sensor)
2	2-point (single)	0%, 100% of (double-sensor)
3	2-point (double)	0%, 100% of (single-sensor)
S	3-point (single)	0°, 50°, 100° (double-sensor)
T	3-point (double)	0°, 50°, 100° (single-sensor & transmitter)
4	3-point (single)	0%, 50%, 10 (single-sensor & transmitter)
5	3-point (double)	0%, 50%, 10 (single-sensor & transmitter)
6	customised (single)	(single-sensor & transmitter, incl. adjust.)
7	customised (double)	(single-sensor & transmitter, incl. adjust.)
		Sensor + Transmitter calibration (single-sensor & transmitter, incl. adjust.)
A	2-point (single)	0%, 100% of (single-sensor & transmitter, incl. adjust.)
B	3-point (single)	0%, 50%, 10 (single-sensor)
C	5-point (single)	0%, 25%, ... (double-sensor)
		Sensor + Transmitter calibration w (single-sensor)
E	2-point (single)	0%, 100% of (double-sensor)
F	3-point (single)	0%, 50%, 100% of range
G	5-point (single)	0%, 25%, ..., 100% of range
H	customised	

Vissa kombinationer är inte möjliga. Vänligen kontakta KROHNE Inor för ytterligare information.

