

▶ Superior visibility  
in extreme environments!



Stainless Steel  
Housing

**INOR**

## LCD-H300 - Loop powered heavy-duty LCD field indicator in stainless steel

The LCD-H300 is a loop powered field indicator with high visibility designed for extreme environments. The built in backlight not only enhances visibility but also complements the high contrast LCD display, making readings effortlessly clear in the darkest corner or in direct sunlight.

This rugged device with stainless steel housing ensuring optimal performance even in extremely turbulent conditions. With IP68 classification, the indicator offers complete protection and reliability in harsh, wet environments. Its reinforced construction and shock absorption mechanisms make it resilient against physical impacts, ensuring longevity in high stress situations.

Programming LCD-H300 is easy, whether using the push buttons or the INOR Connect app via NFC communication. With INOR Connect you can easily set range, filter, alarm etc.

**NFC**



LCD-H300 SS  
Field Indicator



Visit product page  
LCD-H300 SS

## High visibility makes data clear

The LCD-H300 is equipped with a backlight for easy readability in various lighting conditions. With the 8,9 mm high digits the indicator is readable up to several meters.

## Robust design for multiple uses

The stainless steel elements enhance the product's ability to withstand extreme environments, providing a sturdy barrier against environmental factors such as moisture, chemicals, and abrasions, making it a reliable choice for demanding applications in harsh environments.

## Get full control of your configurations

Configure the display module using push buttons or the INOR Connect app via NFC communication. With INOR Connects user friendly interface, you can easily save and share configurations with your colleagues. It is also possible to generate configuration protocols in PDF for documentation.

Alternatively, manual configuration is possible using the three push buttons located on the back of the display unit.

## Technical Data

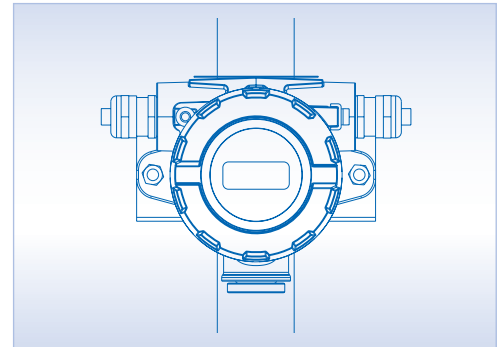
<b>LCD-H300 SS</b>	
Enclosure	Field housing with window
Material	Stainless steel DIN 1.4401, AISI 316, glass window
Paint	None
Mounting	On wall: 2x Ø7 lug holes. On pipe: 2" pipe-mounting bracket
Protective Category	Up to IP68
Openings	Customized
Vibration resistance	IEC 60068-2-6 ; 2 g
Shock resistance	IEC 60068-2-27 ; 15 g / 6 ms
<b>Indication</b>	
Display unit	INOR model LCD-D100
Display	7-segment LCD
Backlight	White LED powered from the 4...20 mA loop
Indication range	4-digits [-1999 to 9999], 8.9 mm
Input	4...20 mA
Typical accuracy	±0.05% of span ±1 digit
NAMUR NE 43 compliance	Yes
Operation temperature	-20 to +70 °C / -4 to +158 °F
Voltage drop	4.5 V
Configuration	NFC or 3 push buttons on the rear of the display unit
Functions	Range and decimal setting, filter and display update time, TAG, error mode, switch off NFC, input calibration, peak memory, display test

## Contact

Inor Process AB  
Box 9125  
200 39 Malmö  
Sweden  
+46 40 312 560  
sales@inor.se

## Mounting

Easy to mount either with a 2" pipe-mounting bracket or directly on the wall with lug holes.



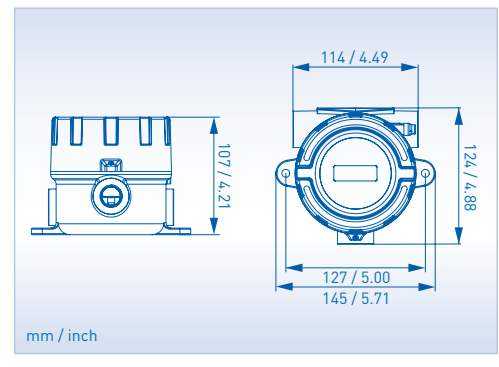
## Configure via INOR Connect

Configure the display wirelessly without supply voltage and cables.



## Dimensions

The stainless steel housing is designed to ensure longevity in harsh environments.



## Ordering information

Product	Part No.
LCD-H300 SS - Customized	On request
Mounting bracket for pipe Ø 1.5"-2"	4003435101