

LCD-H300 SS

Loop Powered Heavy-duty LCD Field Indicator in Stainless Steel



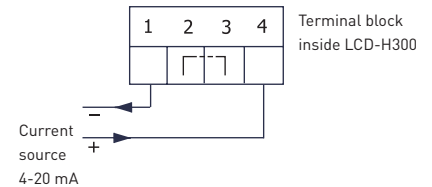
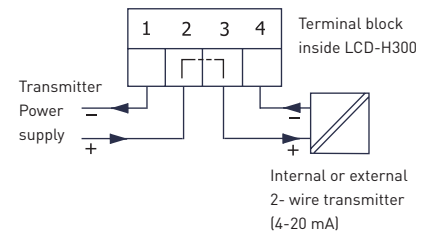
LCD-H300 is a field mounted digital loop powered LCD indicator for installation directly in a 4-20 mA loop without need for external power supply. The field indicator is used to show numerical values proportional to the signal current from any type of signal transmitter or device producing 4-20 mA. The robust instrument housing is suitable for industrial environment and contains a high-contrast, easy-to-read 4-digit LCD display with backlight. Programming of the indicator is done with push buttons or with a smartphone via NFC.

- High contrast, 4-digit LCD display with 8.9 mm / 0.35" digit height
- Loop powered backlight
- Installation directly in a 4-20 mA loop without need for separate power supply
- Simple scaling with push buttons or NFC communication
- Any range between -1999 to 9999 for 4 to 20 mA input
- Labels for different engineering units are included
- High accuracy allows for high precision read-outs
- HART transparent
- Robust Stainless steel instrument housing with up to IP68
- Designed for field mounting on wall or pipe
- 3x M20 or 3x 1/2NPT threaded ports
- Type DIN B head mounted 2-wire transmitter can be integrated
- Customized versions on request

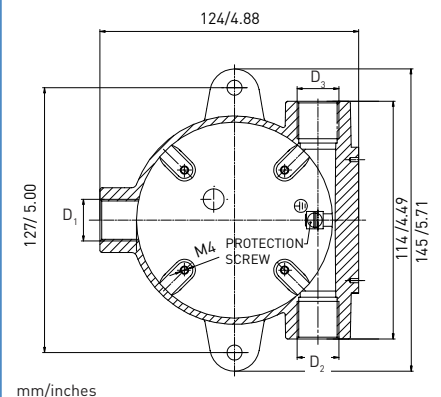
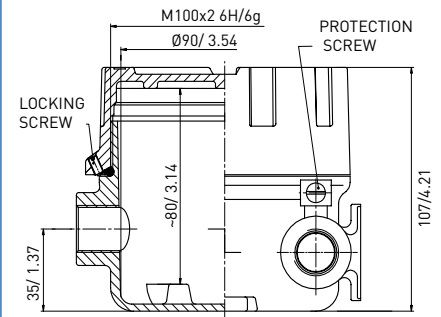
Specifications:

Input Current	4-20 mA
Maximum current	30 mA
Minimum current for operation	-3.5 mA
Voltage drop	4.5 V
Indication	
Display	7-segment black LCD with clear background
Backlight	White LED powered from the 4-20 mA loop
Indication range	4 digits (-1999 to 9999)
Digit height	8.89 mm / 0.35"
Decimals	Selectable, 0 to 3
Under range / Over range	Flashing symbols Lo ($I \leq 3.6 \text{ mA}$) / HI ($I \geq 21.0 \text{ mA}$)
Engineering units	Set of self-adhesive labels included for units: °C, °F, mA, mV, V, bar, mbar, Pa, kPa, MPa, pH, %, s, ms, μs, mm, cm, m
Response time	Appr. 1 s, Power on delay: 5 s and stable after 1 min
Temperature influence	$\leq \pm 0.01 \%$ FS / °C
Configuration method	3 push buttons or NFC, located on the rear of the display
Operation temperature	-20 to +70 °C / -4 to +158 °F
Typical accuracy	$\pm 0.05\%$ of span ± 1 digit
NAMUR NE 43 compliance	Yes
HART transparent	Yes
Protection	Up to IP68 (depending on applied cable glands and sealing)
Mounting	Wall mount or pipe mount (with pipe mounting bracket)
Enclosure	
Material of housing	Stainless steel DIN 1.4401, AISI 316
Material of seal	VMQ silicone rubber
Connections	Push-in spring connection, Wire cross section 0.25 mm ² -1.5 mm ² AWG 24-16
Threaded ports (threads only)	3x M20x1.5 or 3x 1/2 NPTmod

Connections



Dimensions



Ordering information

LCD-H300 SS

Contact INOR